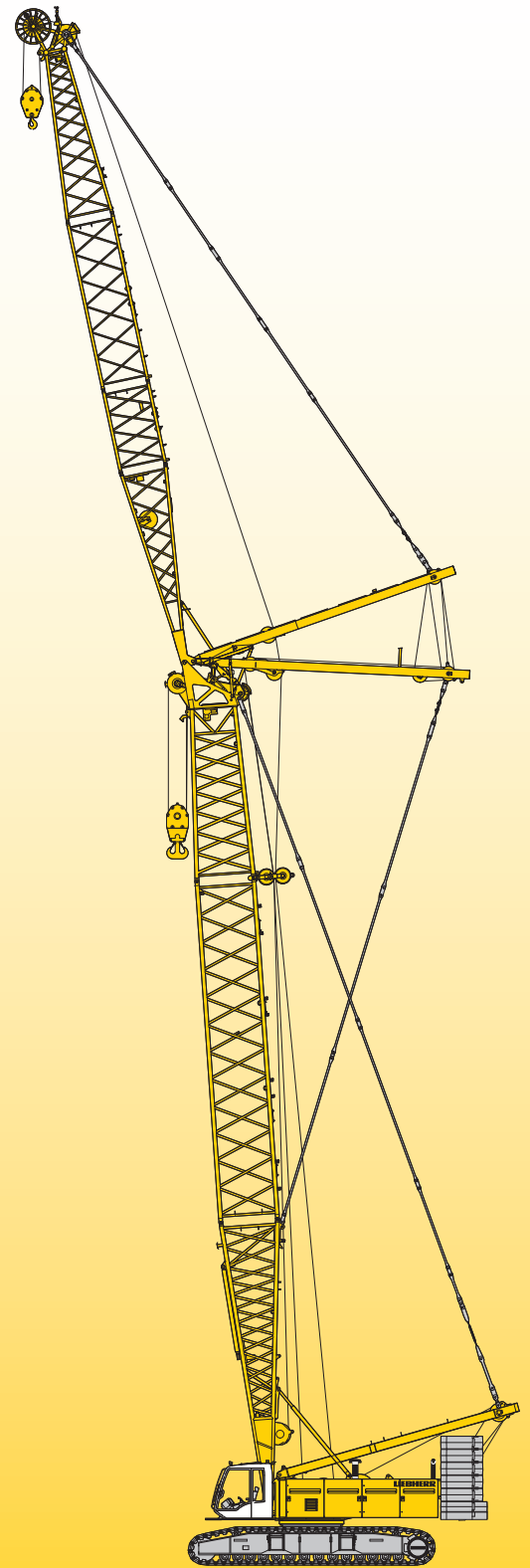


Technical data
Hydraulic lift crane

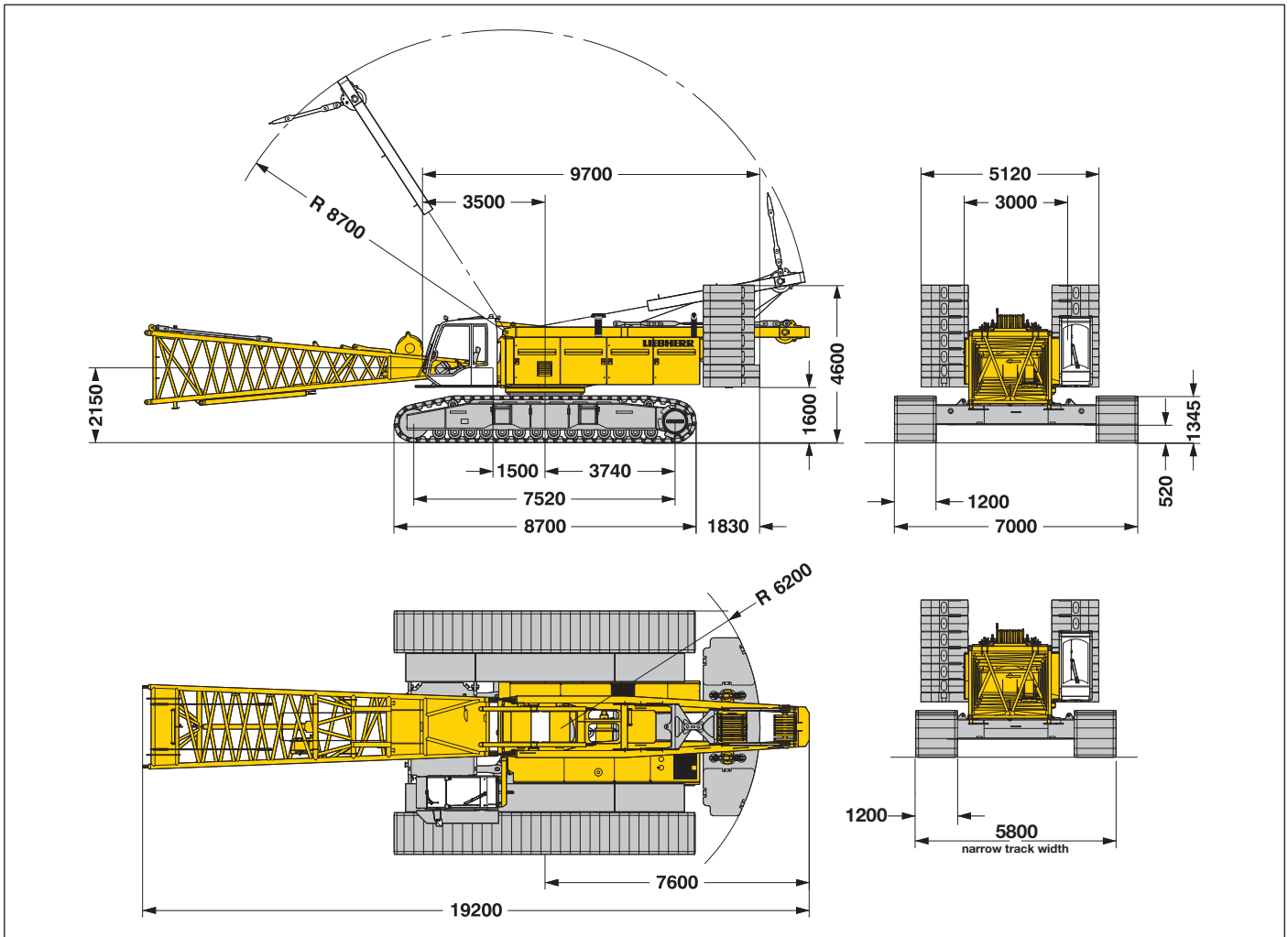
LR 1200 SX
Litronic®



LIEBHERR

Dimensions

Basic machine with undercarriage



Operating weight

The operating weight includes the basic machine with crawlers, 2 main winches 120 kN including wire ropes (260 m and 495 m) and 20 m main boom, consisting of A-frame, boom foot (10 m), boom head (7 m), boom extension (3 m), 81 t basic counterweight, 36 t carbody counterweight and 250 t hook block.

Total weight _____ approx. 210 t

Ground pressure

Ground bearing pressure _____ 1.16 kg/cm²

Equipment

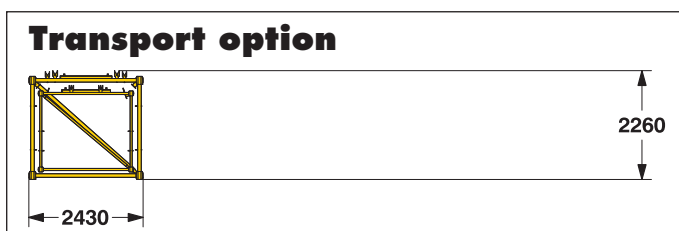
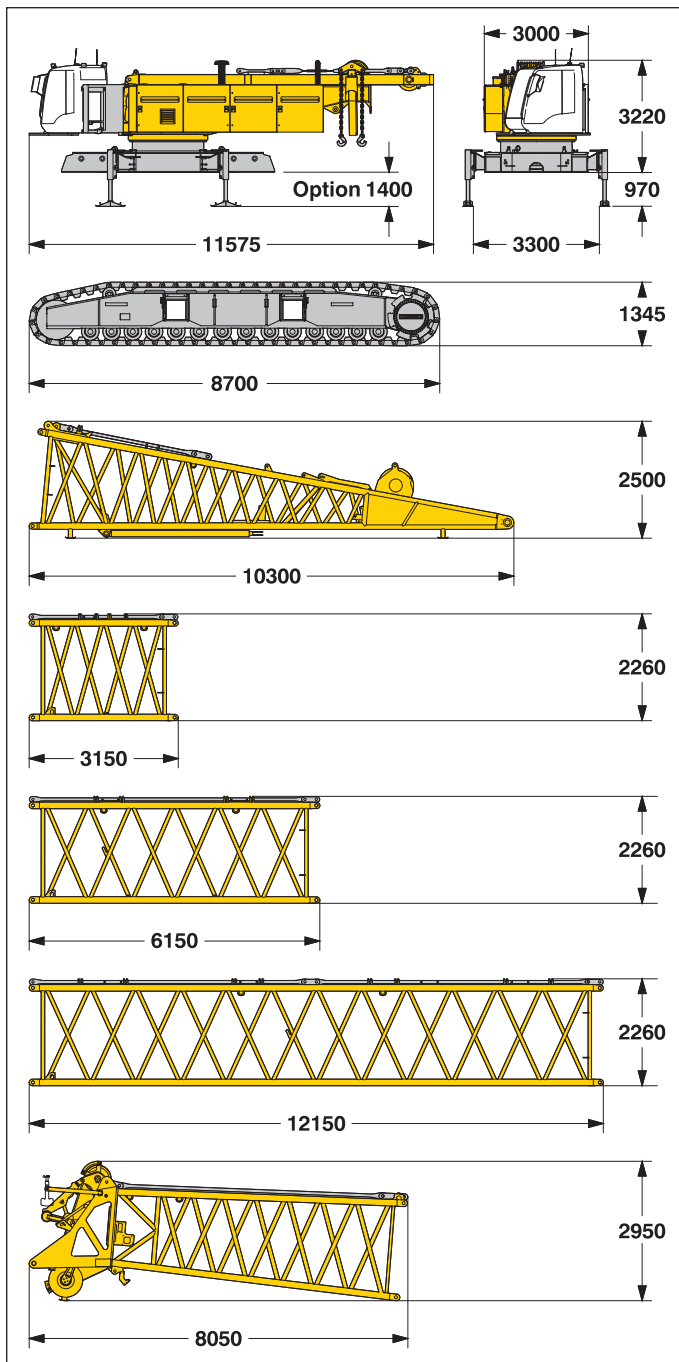
Main boom (No. 2320.xx) max. length _____ 86 m
 High reach boom (No. 2320.xx and 1916.xx) _____ 117 m
 Luffing jib (No. 1916.xx) max. length _____ 95 m
 Max. combination _____ main boom 53 m and luffing jib 95 m
 Fixed jib (No. 1008.xx) _____ 11 m – 26 m
 Auxiliary jib 36 t capacity

Remarks

1. The lifting capacities stated are valid for lifting operation only (corresponding with crane classification according to F.E.M. 1.001, crane group A1).
2. Crane standing on firm, horizontal ground.
3. The weight of the lifting device (hoisting ropes, hook block, shackle etc.) must be deducted from the gross lifting capacity to obtain a net lifting value.
4. Additional equipment on boom (e.g. boom walkways, auxiliary jib) must be deducted to get the net lifting capacity.
5. For max. wind speed please refer to lift chart in operator's cab or manual.
6. Working radii are measured from center of swing and under load.
7. The lifting capacities are valid for 360 degrees of swing.
8. Calculation of stability under load is based on DIN 15019 / part 2 / chart 1 and ISO 4305 Table 1 + 2, tipping angle 4°.
9. The structures are calculated according to F.E.M. 1.001 - 1998 (EN 13001-1; EN 13001-2).

Transport dimensions and weights

Basic machine and boom (No. 2320.xx)



*) Including pendants

Basic machine

with A-frame, 2x 120 kN crane winches including wire ropes (total hoist ropes 755 m), without crawlers, boom foot, basic counterweight and carbody counterweight

Width	3000 mm
Weight	41200 kg

Crawler

2x

Track pads	1200 mm
Width	1200 mm
Weight	19800 kg

Boom foot (No. 2320.25)

Width	2430 mm
Weight incl. winch and rope	5600 kg
Weight without winch	4000 kg

Boom section (No. 2320.23)

3 m

Width	2430 mm
Weight*	925 kg

Boom section (No. 2320.23)

6 m

Width	2430 mm
Weight*	1455 kg

Boom section (No. 2320.23)

12 m

Width	2430 mm
Weight*	2690 kg

Boom head (No. 2320.23)

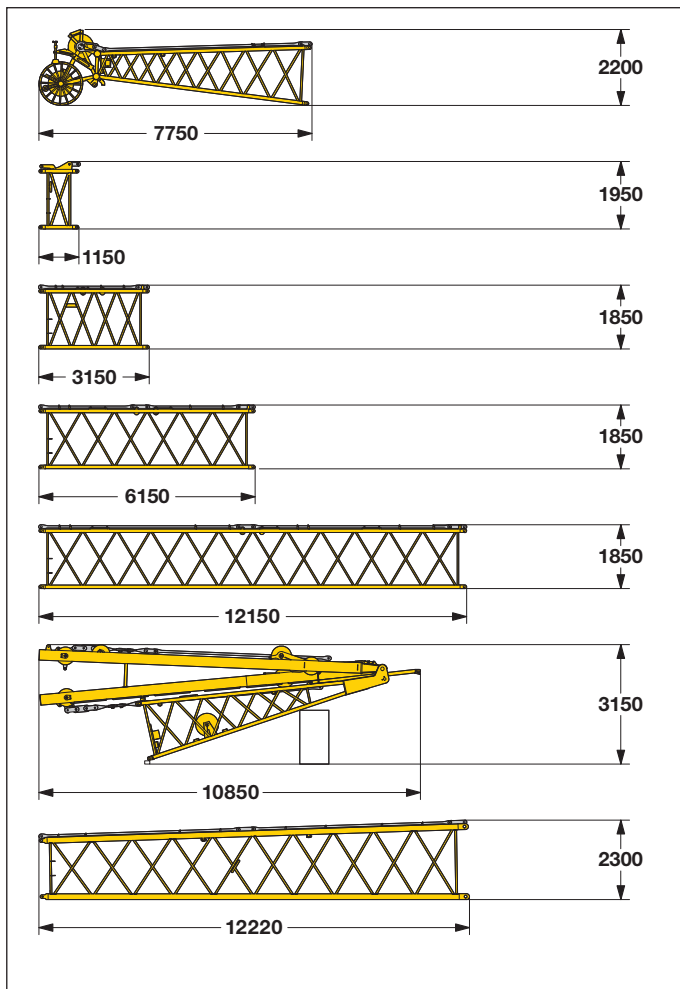
Width	2430 mm
Weight*	4300 kg

Boom - luffing jib transport option

No. 2320.xx/1916.xx	12/12	6/6	3/3 m
Length	12500	6250	3250 mm
Weight*	3940	2145	1400 kg

Transport dimensions and weights

Luffing jib (No. 1916.xx)



*) Including pendants

Luffing jib head (No. 1916.21)

Width	2010 mm
Weight*	1550 kg

L - boom jib section (No. 1916.22) 1 m

Width	2010 mm
Weight*	460 kg

Luffing jib section (No. 1916.18) 3 m

Width	2010 mm
Weight*	475 kg

Luffing jib section (No. 1916.18) 6 m

Width	2010 mm
Weight*	690 kg

Luffing jib section (No. 1916.18) 12 m

Width	2010 mm
Weight*	1250 kg

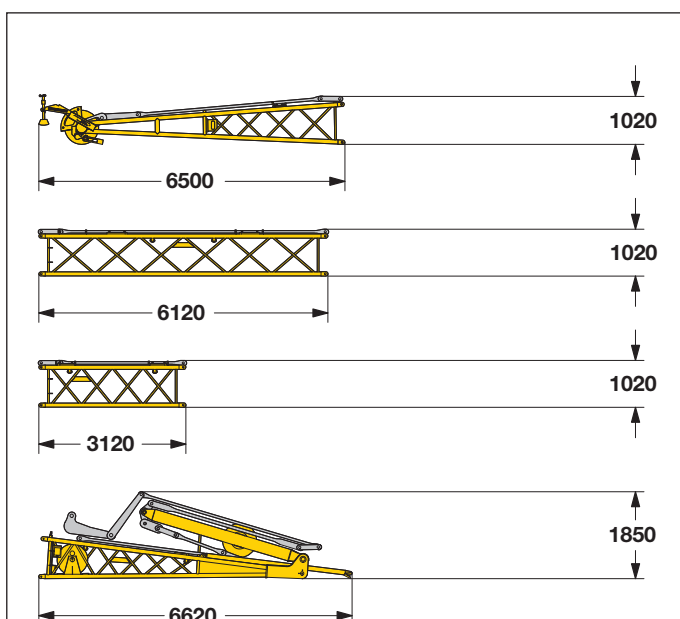
Luffing jib foot with A-frames (No. 1916.22)

Width	2010 mm
Weight*	6300 kg

L - boom section tapered (No. 2320/1916.20) 12 m

Width	2430 mm
Weight*	1700 kg

Fixed jib (No. 1008.xx)



*) Including pendants

Fixed jib head (No. 1008.20)

Width	1090 mm
Weight*	920 kg

Fixed jib section (No. 1008.17) 6 m

Width	1090 mm
Weight*	455 kg

Fixed jib section (No. 1008.17) 3 m

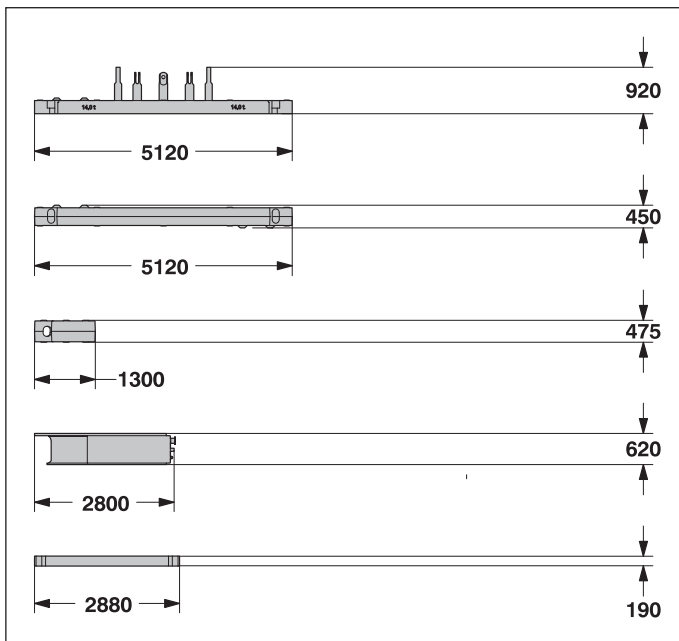
Width	1090 mm
Weight*	300 kg

Fixed jib foot with A-frame (No. 1008.20)

Width	2200 mm
Weight*	1950 kg

Transport dimensions and weights

Counterweights



Counterweight **1x**

Width	1660 mm
Weight	14500 kg

Counterweight **1x**

Width	1660 mm
Weight	16300 kg

Counterweight **10x**

Width	1360 mm
Weight	5100 kg

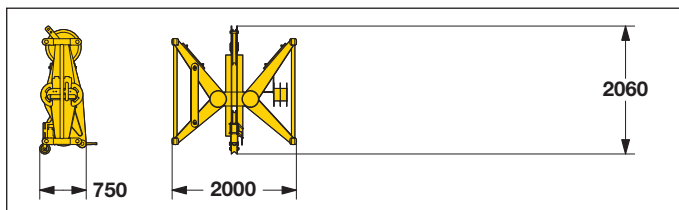
Counterweight **2x**

Width	3340 mm
Weight	9800 kg

Carbody counterweight **2x**

Width	2050 mm
Weight	8300 kg

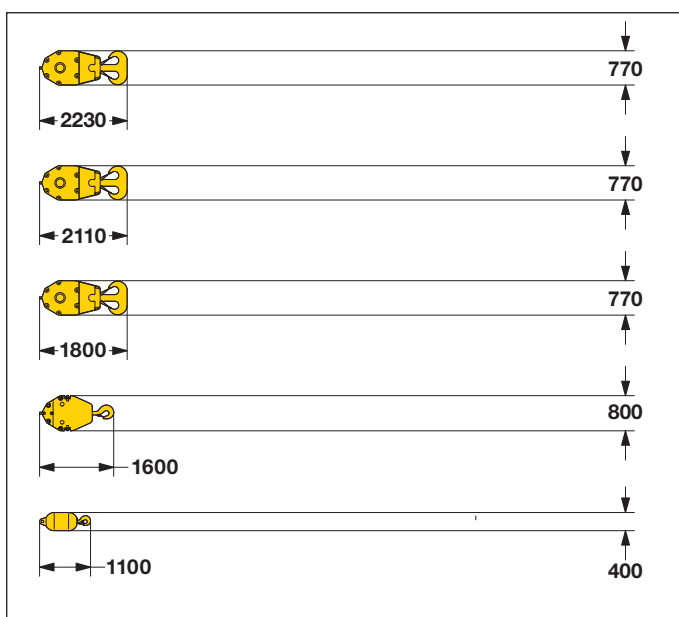
Mid fall (option)



Mid fall section (No. 1916.32) **0.5 m**

Width	750 mm
Weight	715 kg

Hooks



250 t hook block - 11 sheaves

Width	1030	1250 mm
Weight	2300	3200 kg

160 t hook block - 7 sheaves

Width	640	760	880 mm
Weight	1500	2250	3000 kg

100 t hook block - 5 sheaves

Width	540	640	770 mm
Weight	1300	1800	2300 kg

40 t hook block - 1 sheave

Width	300	400	500 mm
Weight	700	1100	1500 kg

12.5 t single hook

Width	400 mm
Weight	600 kg

Technical description



Engine

Power rating according to ISO 9249, 270 kW (362 hp) at 2000 rpm
Engine type ———— Liebherr D 936 L A6
Fuel tank ———— 800 l capacity with continuous level indicator and reserve warning
Engine complies with NRMM exhaust certification EPA / CARB Tier 3 and 97/68 EC Stage III.



Hydraulic system

A double axial displacement pump supplies the open loop hydraulic system, allowing all functions to be operated simultaneously. To minimize peak pressure an automatic working pressure cut-off is integrated in the pump. All filters are electronically monitored.
The use of synthetic environmentally friendly (biodegradable) oils is possible.
Working pressure ———— max. 350 bar
Oil tank capacity ———— 650 l



Luffing jib winch

Line pull ———— max. 105 kN
Rope diameter ———— 20 mm
Jib luffing ———— 51 sec. from 15° to 78°



Boom winch

Line pull ———— max. 217 kN
Rope diameter ———— 24 mm
Boom up ———— 130 sec. from 15° to 86°



Swing

Consists of rollerbearing with external teeth, swing drive with fixed axial piston hydraulic motor, spring loaded and hydraulically released multi-disc holding brake, planetary gearbox and pinion.
Both swing modes are possible – speed control or free swing.
A multi-disc holding brake acts automatically at zero swing motion.
Swing speed from 0 – 3 rpm continuously variable.



Main winches

Line pull (1st layer) ———— max. 175 kN
Line pull (7th layer) ———— 120 kN
Rope diameter ———— 26 mm
Drum diameter ———— 580 mm
Rope speed ———— 0 – 136 m/min
Rope capacity in 7 layers ———— 489 m
The winches are outstanding in their compact design and easy assembly. Propulsion is via a planetary gearbox in an oil bath.
Load support by the hydraulic system; additional safety factor provided by a spring loaded, multi-disc holding brake.
The main winches use pressure controlled, variable flow hydraulic motors. This system features sensors that automatically adjust oil flow to provide max. winch speed depending on load.
Option – winch with freefall system:
Clutch and braking functions on the freefall system are provided by a compact designed, low wear and maintenance-free multi-disc brake.



Crawlers

Propulsion through axial piston motor, hydraulically released spring loaded multi-disc brake, crawler tracks, hydraulic chain tensioning device.
Track pads ———— 1200 mm
Drive speed ———— 0 – 1.6 km/h



Control

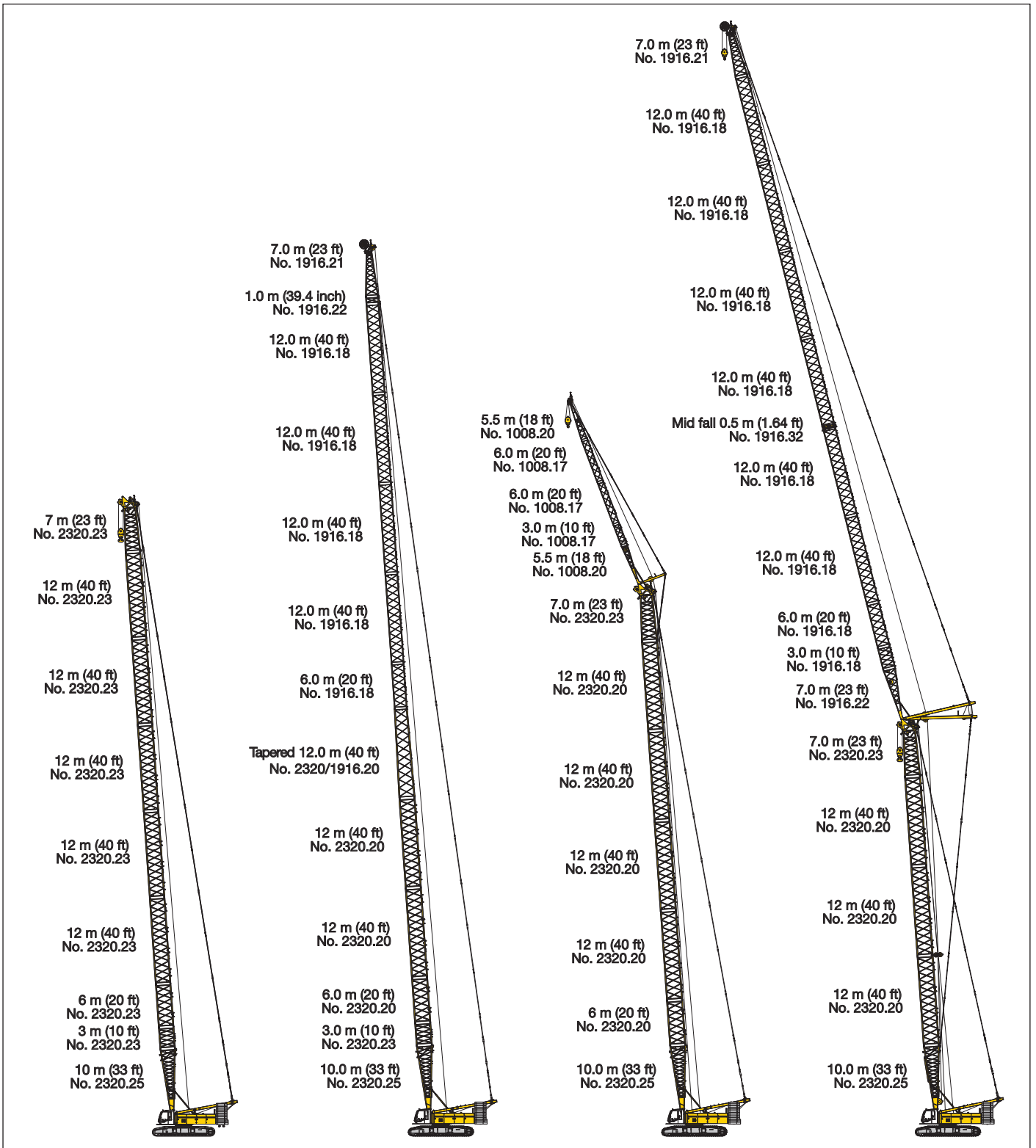
The control system – developed and manufactured by Liebherr – is designed to withstand extreme environmental conditions such as temperature, vibration and electromagnetic interference and to meet all requirements that are needed in heavy duty crane operation.
Complete machine operating data are shown on a high resolution display. Standard operational information is displayed by means of graphical symbols, fault indications are displayed in plain text (more than 15 languages available).
The cranes are equipped with proportional control for all main movements, which can be carried out simultaneously.
The crane is operated with 2 multi-directional joysticks, the right for winch I and boom, the left for winch II and swing control.
Option:
Bi-directional double T-levers for simultaneous boom and luffing jib operation.
The crawlers are activated by the two foot pedals. Additionally, hand levers can be attached to the pedals.
Remote control for assembly of counterweight and boom hinge pins.



Noise emission

Noise emissions correspond with 2000/14/EC directive on noise emission by equipment used outdoors.

Boom combinations



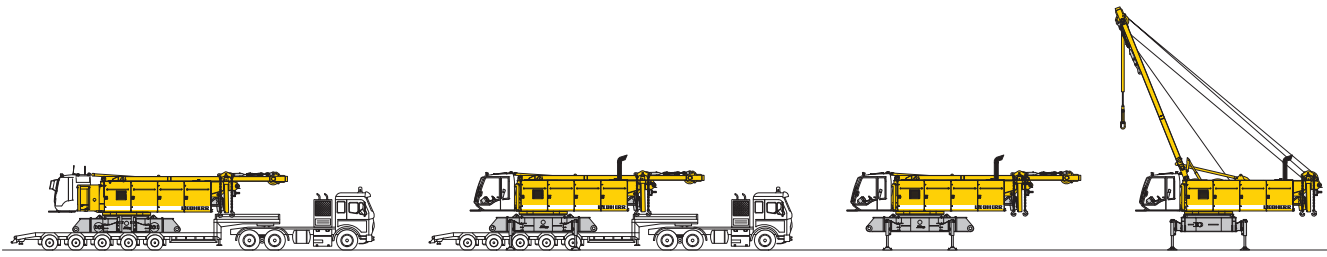
Main boom No.2320.xx — 86 m

Max. combination — 117 m
 Main boom No.2320.xx — 43 m
 Tapered No.2320/1916.xx — 12 m
 Luffing jib No.1916.xx — 62 m

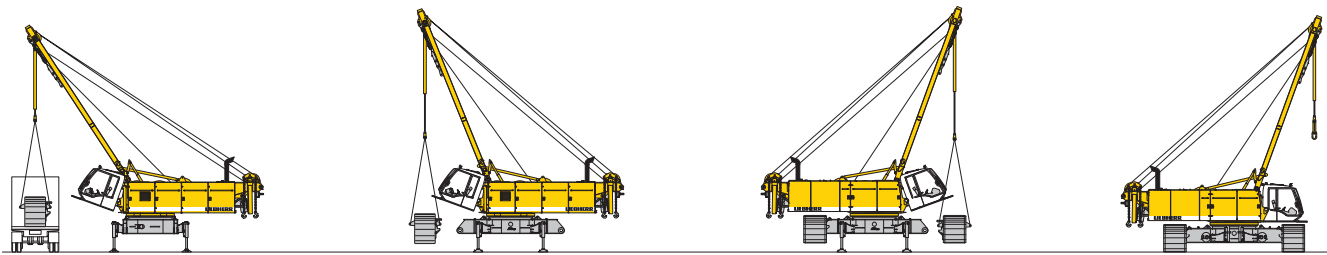
Max. combination — 97 m
 Main boom No. 2320.xx — 71 m
 Fixed jib No. 1008.xx — 26 m

Max. combination — 148 m
 Main boom No. 2320.xx — 53 m
 Luffing jib No. 1916.xx — 95 m
 Main boom No. 2320.xx — 59 m
 Luffing jib No. 1916.xx — 50 m

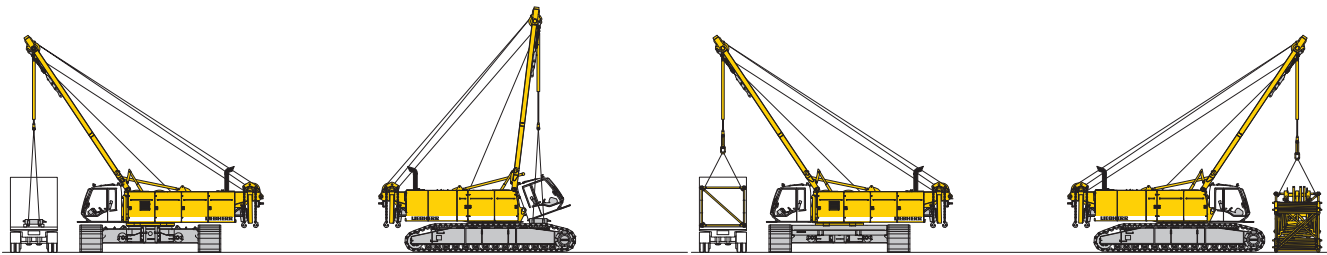
Self assembly system



Unloading of basic machine

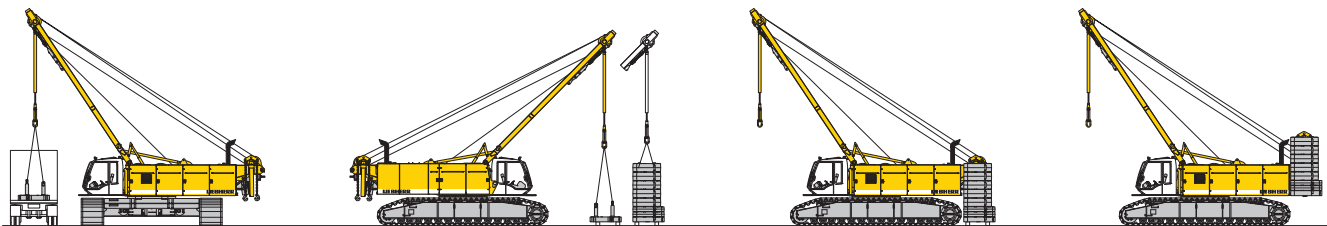


Unloading and assembly of crawlers



Unloading and assembly of carbody counterweight

Unloading and assembly of boom

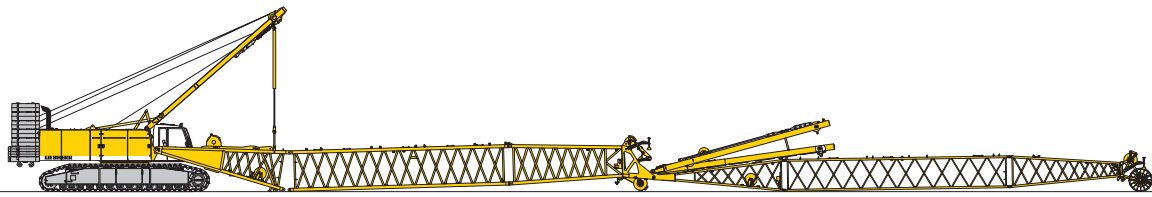


Unloading and assembly of counterweight

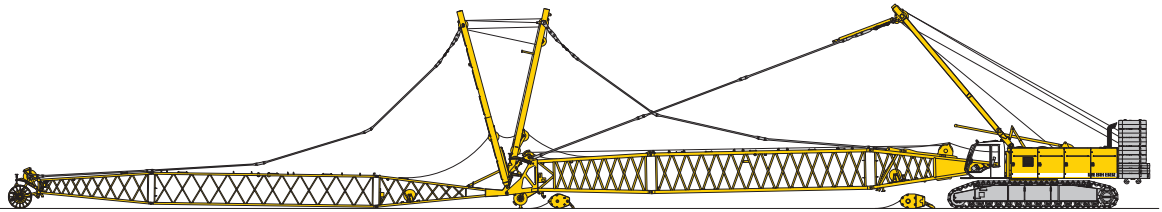


Unloading and assembly of boom foot

Erecting of main boom to working position



Assembly of boom



Reeving of hoist and luffing jib ropes

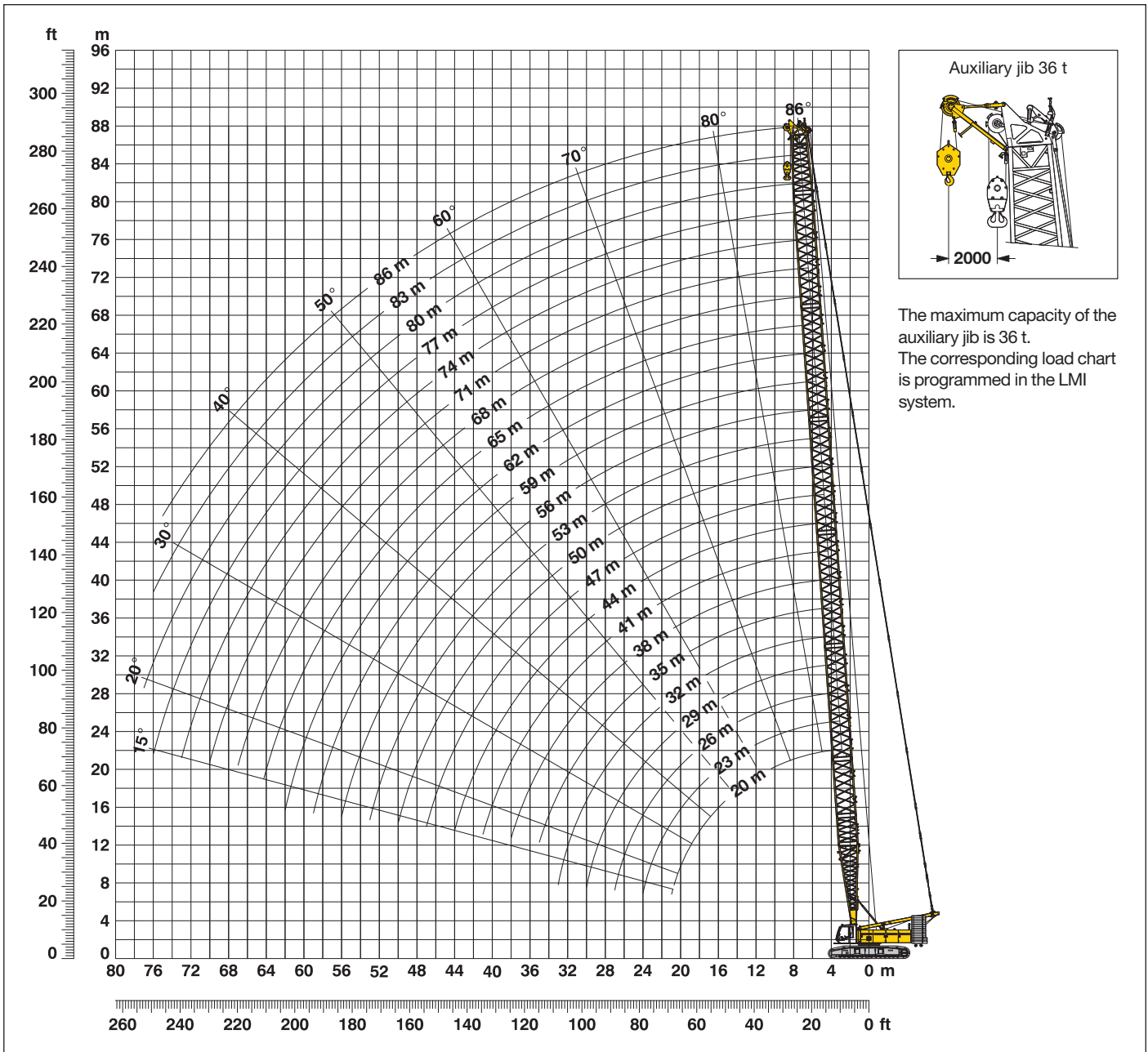


Erecting of main boom and luffing jib

Working position

Main boom (No. 2320.xx) 86° - 15°

81 t counterweight and 36 t carbody counterweight



Main boom configuration (Table 1 – No. 2320.xx)

Configuration for boom lengths between 20 m and 86 m

	Length	Amount of boom extensions																										
		10 m	12 m	15 m	18 m	21 m	24 m	27 m	30 m	33 m	36 m	39 m	42 m	45 m	48 m	51 m	54 m	57 m	60 m	63 m	66 m	69 m	72 m	75 m	78 m	81 m	84 m	86 m
Boom foot	10 m	1	1	1	1	1	1	1	1	1	1	1	1	1	1	1	1	1	1	1	1	1	1	1	1	1	1	
Boom section	3 m	1		1		1		1		1		1		1		1		1		1		1		1		1		
Boom section	6 m		1	1		1	1		1	1		1	1		1	1		1	1		1	1		1	1		1	
Boom section	12 m				1	1	1	1	1	2	2	2	2	3	3	3	3	4	4	4	4	5	5	5	5	5	5	5
Boom head	7 m	1	1	1	1	1	1	1	1	1	1	1	1	1	1	1	1	1	1	1	1	1	1	1	1	1	1	
Boom length (m)		20	23	26	29	32	35	38	41	44	47	50	53	56	59	62	65	68	71	74	77	80	83	86				

Lift chart for main boom (No. 2320.xx)

81 t counterweight and 36 t carbody counterweight

Capacities in metric tons for boom lengths (20 m - 86 m) - with 120 kN winches

Radius (m)	Boom length in (m)											Radius (m)	
	20	26	32	38	44	50	56	62	68	74	80		86
6	t	t	t	t	t	122.1							6
7				136.5	117.5	101.4	86.4	72.1					7
8			132.0	124.1	112.6	96.9	83.4	71.5	59.1	49.8			8
9		122.3	115.5	109.2	103.6	93.0	80.4	68.1	57.7	49.5	41.3	34.0	9
10	113.5	108.0	102.5	97.4	92.7	88.0	77.1	65.7	56.0	48.1	40.7	33.8	10
12	87.0	86.9	83.5	79.7	76.3	73.1	70.1	61.3	52.9	45.8	39.6	32.7	12
14	70.1	70.0	69.9	67.2	64.6	62.0	59.6	57.3	50.0	43.2	37.6	31.5	14
16	58.3	58.3	58.2	57.9	55.8	53.6	51.7	49.7	47.4	41.3	35.8	30.2	16
18	49.7	49.7	49.6	49.3	48.9	47.1	45.4	43.7	42.1	38.7	34.4	29.2	18
20	43.1	43.1	43.0	42.7	42.5	41.7	40.3	38.8	37.4	36.0	32.4	28.2	20
26		30.1	30.1	29.9	29.6	29.2	28.8	28.4	27.3	26.2	25.1	24.1	26
30			24.7	24.4	24.1	23.7	23.4	23.0	22.6	21.7	20.7	19.8	30
32			22.5	22.3	22.0	21.6	21.2	20.8	20.4	19.8	18.9	18.0	32
38				17.2	17.0	16.6	16.2	15.8	15.4	14.9	14.5	13.6	38
44					13.3	13.0	12.7	12.2	11.9	11.5	11.0	10.5	44
50						10.3	10.0	9.6	9.2	8.8	8.4	7.9	50
55							8.2	7.9	7.5	7.0	6.6	6.1	55
60								6.4	6.0	5.6	5.1	4.7	60
65									4.8	4.3	3.9	3.5	65
70										3.3	2.9	2.4	70

Above lift chart is for reference only. For actual lift duty please refer to lift chart in operator's cab or manual.

Lift chart for main boom (No. 2320.xx)

70.8 t counterweight and 36 t carbody counterweight

Capacities in metric tons for boom lengths (20 m - 83 m) - with 120 kN winches

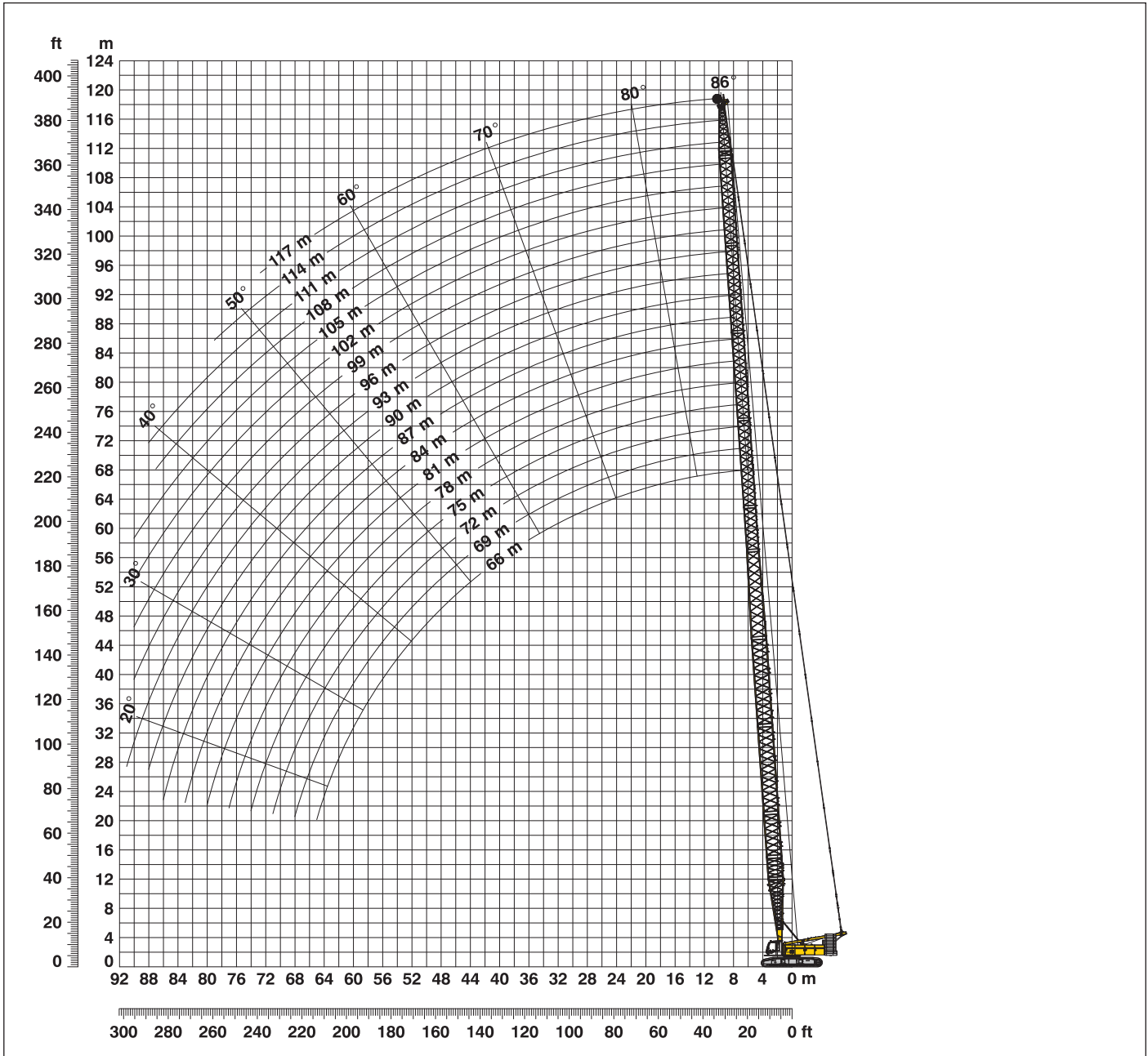
Radius (m)	Boom length in (m)											Radius (m)	
	20	26	32	38	44	50	56	62	68	74	80		83
4.1	*250.0												4.1
5	214.8	196.5	173.7										5
6	185.8	180.1	165.5	143.5	122.1								6
7	162.1	151.4	140.8	131.3	117.5	101.4	86.4	72.1					7
8	138.0	128.8	120.8	113.6	107.1	96.9	83.4	71.5	59.1	49.8			8
9	119.0	111.9	105.7	99.9	94.7	89.8	80.4	68.1	57.7	49.5	41.3	37.2	9
10	103.8	98.8	93.7	89.0	84.7	80.6	76.8	65.7	56.0	48.1	40.7	36.9	10
12	79.4	79.4	76.2	72.8	69.6	66.6	63.8	61.1	52.9	45.8	39.6	35.7	12
14	63.9	63.9	63.8	61.3	58.8	56.4	54.2	52.0	49.9	43.2	37.6	34.3	14
16	53.1	53.1	53.0	52.7	50.7	48.7	46.8	45.0	43.3	41.3	35.8	32.7	16
18	45.2	45.2	45.1	44.8	44.3	42.6	41.1	39.5	38.0	36.5	34.4	31.5	18
20	39.1	39.2	39.1	38.8	38.5	37.8	36.4	35.0	33.6	32.3	31.0	30.0	20
26		27.2	27.2	26.9	26.6	26.2	25.9	25.4	24.3	23.3	22.3	21.8	26
32			20.1	19.9	19.6	19.3	18.9	18.5	18.1	17.4	16.6	16.1	32
38				15.2	15.0	14.7	14.3	13.9	13.5	13.0	12.4	12.1	38
44					11.7	11.4	11.1	10.7	10.3	9.8	9.4	9.1	44
50						8.9	8.6	8.2	7.8	7.4	6.9	6.7	50
55							6.9	6.6	6.2	5.7	5.3	5.1	55
60								5.2	4.8	4.4	4.0	3.7	60
65									3.7	3.2	2.8	2.6	65
70										2.3			70

Above lift chart is for reference only. For actual lift duty please refer to lift chart in operator's cab or manual.

* Capacities over 220 t require a special heavy duty boom head.

L - boom high reach (No. 2320/1916.xx) **66 m - 117 m**

Working range **86° - 15°**



L - boom configuration with 43 m main boom (No. 2320/1916.xx)

Configuration for L - boom lengths (66 m - 117 m)

Configuration	Length	Amount of boom extensions																	
		1	1	1	1	1	1	1	1	1	1	1	1	1	1	1	1	1	1
Boom foot	10 m	1	1	1	1	1	1	1	1	1	1	1	1	1	1	1	1	1	1
Boom section	3 m	1	1	1	1	1	1	1	1	1	1	1	1	1	1	1	1	1	1
Boom section	6 m	1	1	1	1	1	1	1	1	1	1	1	1	1	1	1	1	1	1
Boom section	12 m	2	2	2	2	2	2	2	2	2	2	2	2	2	2	2	2	2	2
Tapered	12 m	1	1	1	1	1	1	1	1	1	1	1	1	1	1	1	1	1	1
Luffing section	3 m	1		1		1		1		1		1		1		1		1	
Luffing section	6 m		1	1		1	1	1		1	1		1	1		1	1		1
Luffing section	12 m				1	1	1	1	2	2	2	2	3	3	3	3	4	4	4
Luffing section	1 m	1	1	1	1	1	1	1	1	1	1	1	1	1	1	1	1	1	1
Luffing jib head	7 m	1	1	1	1	1	1	1	1	1	1	1	1	1	1	1	1	1	1
Max. L - boom length (m)		66	69	72	75	78	81	84	87	90	93	96	99	102	105	108	111	114	117

Lift chart for L – boom (No. 2320/1916.xx)

Main boom length 43 m

Capacities in metric tons 81 t counterweight and 36 t carbody counterweight						
Radius	Boom length in (m)					
	66	75	90	99	108	117
(m)	t	t	t	t	t	t
8.9	60.9					
10	58.7	39.5				
12	51.2	37.0	23.2			
14	44.8	34.4	21.5	15.8	12.1	
16	39.5	32.0	19.9	14.6	11.4	8.8
18	35.3	30.0	18.6	13.7	10.6	8.1
20	31.8	27.7	17.3	12.7	10.0	7.6
22	29.2	25.5	16.5	11.9	9.3	7.2
24	26.6	23.8	15.5	11.3	8.7	6.7
26	24.5	22.0	14.7	10.7	8.3	6.4
28	22.9	20.4	14.1	10.2	7.9	6.1
30	21.0	19.1	13.5	9.8	7.6	5.8
32	19.5	17.9	12.9	9.5	7.3	5.5
34	18.3	16.8	12.4	9.1	7.1	5.3
36	17.2	15.8	12.1	8.7	6.8	5.1
38	16.3	15.0	11.7	8.4	6.5	4.9
40	15.5	14.2	11.2	8.2	6.3	4.7
42	14.8	13.4	10.8	7.9	6.1	4.5
44	14.0	12.7	10.5	7.6	5.9	4.4
46	13.2	12.1	10.2	7.3	5.7	4.2
50	11.7	11.0	9.3	6.9	5.3	3.9
55	10.0	9.7	8.4	6.3	4.9	3.6
60	8.5	8.5	7.5	5.7	4.4	3.3
65	7.3	7.3	6.5	5.2	4.0	2.9
70		6.2	5.7	4.7	3.6	2.6
80			4.2	3.7	3.0	2.0
85			3.5	3.1	2.6	
90				2.7	2.1	
95				2.1		

Main boom length 55 m

Capacities in metric tons 81 t counterweight and 36 t carbody counterweight						
Radius	Boom length in (m)					
	78	90	96	102	108	114
(m)	t	t	t	t	t	t
10.2	43.8					
12	43.0	28.3				
14	40.7	26.6	23.3	19.0	15.3	
16	37.7	24.9	21.8	17.7	14.4	12.0
18	33.2	23.5	20.7	16.6	13.4	11.2
20	30.0	22.1	19.4	15.7	12.7	10.5
22	26.8	21.1	18.4	14.7	11.9	10.0
24	24.4	19.9	17.6	14.0	11.2	9.4
26	22.5	18.9	16.8	13.4	10.7	9.0
28	20.5	18.2	16.1	12.8	10.2	8.6
30	18.8	17.1	15.6	12.3	9.8	8.2
32	17.6	15.7	14.8	11.9	9.5	7.9
34	16.2	14.5	13.7	11.5	9.2	7.6
36	15.0	13.6	12.8	11.0	8.8	7.4
38	14.0	12.7	12.0	10.6	8.5	7.1
40	13.2	11.8	11.3	10.3	8.2	6.9
42	12.5	10.9	10.5	10.1	8.0	6.7
44	11.9	10.2	9.8	9.4	7.8	6.5
46	11.3	9.7	9.1	8.7	7.3	6.3
48	10.9	9.2	8.6	8.1	6.9	6.0
50	10.5	8.7	8.1	7.6	6.5	5.7
55	9.0	7.8	7.2	6.7	5.8	5.1
60	7.7	6.9	6.4	5.9	5.1	4.6
65	6.5	5.8	5.6	5.3	4.5	4.0
70	5.4	5.0	4.7	4.5	4.0	3.5
75	4.5	4.3	4.0	3.7	3.2	3.0
80		3.6	3.3	3.1	2.6	2.3
85		2.9	2.7	2.6	2.1	
90			2.1	2.0		

Above lift chart is for reference only. For actual lift duty please refer to lift chart in operator's cab or manual.

L – boom configuration with 55 m main boom (No. 2320/1916.xx)

Configuration for L – boom lengths (66 m – 114 m)													
	Length	Amount of boom extensions											
		1	1	1	1	1	1	1	1	1	1	1	1
Boom foot	10 m	1	1	1	1	1	1	1	1	1	1	1	1
Boom section	3 m	1	1	1	1	1	1	1	1	1	1	1	1
Boom section	6 m	1	1	1	1	1	1	1	1	1	1	1	1
Boom section	12 m	3	3	3	3	3	3	3	3	3	3	3	3
Tapered	12 m	1	1	1	1	1	1	1	1	1	1	1	1
Luffing section	3 m	1		1		1		1		1		1	
Luffing section	6 m		1	1		1	1		1		1	1	
Luffing section	12 m				1	1	1	1	2	2	2	2	3
Luffing section	1 m	1	1	1	1	1	1	1	1	1	1	1	1
Luffing jib head	7 m	1	1	1	1	1	1	1	1	1	1	1	1
Max. L – boom length (m)		78	81	84	87	90	93	96	99	102	105	108	111

Lift chart - luffing jib (No. 1916.xx)

Main boom angle 88°

Main boom 23 m

Radius (m)	Jib length in (m)							
	20	29	41	53	62	71	83	95
9.8	t	61.8						
10	70.7	61.8						
13	63.5	54.0	38.2					
15	53.4	48.4	35.4	25.8				
17	45.7	43.0	32.5	24.8	18.2			
19	38.4	37.1	30.1	23.7	17.6	13.0		
22	30.8	30.0	26.4	22.1	16.5	12.5	8.4	
26		24.2	22.2	19.7	15.3	11.9	8.0	5.0
30		20.6	18.9	17.7	14.3	11.4	7.8	4.9
34			16.4	15.2	13.3	10.8	7.6	4.8
42			12.9	11.9	10.6	9.4	6.9	4.4
46				10.6	9.5	8.6	6.5	4.2
50				9.6	8.4	7.9	6.0	4.0
60					6.5	5.9	4.8	3.2
70						4.4	3.6	2.4
80							2.5	

Main boom 35 m

Radius (m)	Jib length in (m)							
	20	29	41	53	62	71	83	95
8.3	69.2							
11	66.0	51.6						
13	57.8	49.1	34.4					
16	45.8	42.5	31.7	22.6				
18	39.6	38.1	29.7	21.9	15.8			
19	36.8	35.3	28.8	21.6	15.6	11.5		
22	30.4	28.9	25.6	20.3	15.0	11.2	7.4	
32		12.1	17.5	16.0	13.4	10.4	7.1	4.3
40			13.8	12.7	11.1	9.5	6.7	4.2
42			13.1	12.0	10.6	9.1	6.6	4.1
50				9.8	8.6	7.9	6.0	3.8
55				8.0	7.6	6.9	5.6	3.5
60					6.8	6.0	5.0	3.2
70						4.6	3.7	2.4
75							3.2	2.0
80							2.6	

Main boom 44 m

Radius (m)	Jib length in (m)							
	20	29	41	53	62	71	83	95
8.7	57.8							
11	54.9	44.0						
13	49.7	42.5	30.4					
16	40.8	37.3	28.7	19.8				
18	35.9	33.3	27.0	19.4	14.1			
20	31.5	29.3	25.2	19.0	13.9	10.3		
22	28.1	26.0	22.9	18.5	13.7	10.1	6.6	
28		20.0	17.9	16.1	13.1	9.9	6.5	3.9
32		17.6	15.7	14.4	12.5	9.7	6.5	3.9
40			12.6	11.5	10.2	8.9	6.2	3.8
44			11.2	10.3	9.2	8.0	6.1	3.8
48				9.4	8.3	7.3	5.6	3.7
55				8.0	6.9	6.1	4.9	3.3
60					6.2	5.3	4.4	3.0
70						4.1	3.2	2.2
80							2.2	

Main boom 53 m

Radius (m)	Jib length in (m)							
	20	29	41	53	62	71	83	95
9	46.6							
11	44.1	35.7						
14	39.9	33.3	24.6					
16	35.3	31.2	23.8	16.9				
18	31.6	28.8	22.8	16.5	12.4			
20	27.9	26.0	21.7	16.0	12.2	9.1		
24	12.1	21.3	18.8	15.0	11.7	8.8	5.8	
28		18.1	16.2	13.7	11.3	8.8	5.8	3.3
32		16.2	14.3	12.4	10.8	8.6	5.8	3.3
40			11.5	10.0	9.0	8.1	5.7	3.3
44			10.4	9.0	8.1	7.2	5.7	3.3
55				7.0	6.1	5.4	4.3	2.8
60					5.5	4.7	3.7	2.4
65						4.1	3.1	2.1
70						3.6	2.6	
75							2.2	

Main boom 56 m

Radius (m)	Jib length in (m)							
	20	29	35	41	53	62	71	74
9.1	43.1							
11	41.3	32.6						
13	38.8	31.5	27.1					
14	37.7	30.7	26.4	22.8				
16	33.8	29.0	25.3	21.9	15.7			
18	30.5	27.2	24.0	21.0	15.3	11.9		
20	27.0	24.7	22.4	20.1	14.8	11.7	8.7	
22	24.4	22.2	21.0	18.8	14.3	11.4	8.6	7.8
24	12.1	20.4	19.0	17.9	13.8	11.1	8.4	7.7
32		15.6	14.4	13.7	11.9	10.3	8.2	7.6
38			12.4	11.6	10.1	9.1	8.0	7.4
44				10.0	8.6	7.9	6.8	6.6
55					6.7	5.9	5.1	4.9
60						5.3	4.4	4.2
70							3.4	3.2
75								2.7

Main boom 59 m

Radius (m)	Jib length in (m)				
	20	29	35	41	50
9.2	39.1				
12	36.7	29.4			
13	35.7	28.8	24.8		
14	34.9	28.0	24.2	20.9	
16	31.8	26.8	23.3	20.1	16.0
18	29.0	25.5	22.3	19.3	15.4
20	25.8	23.5	21.0	18.6	14.8
22	23.4	21.2	20.0	17.6	14.3
24	12.1	19.5	18.2	16.9	13.8
28		16.8	15.7	14.8	13.1
32		15.0	13.8	13.1	11.7
36			12.5	11.7	10.5
38			11.9	11.1	10.0
44				9.7	8.6
48					7.9
50					7.6

Capacities in metric tons with luffing jib (No. 1916.xx), 81 t counterweight + 36 t carbody counterweight. Above lift chart is for reference only. For actual lift duty and complete chart with all available configurations please refer to lift chart in operator's cab or manual.

Lift chart – luffing jib (No. 1916.xx)

Main boom angle 83°

Main boom 23 m

Radius (m)	Jib length in (m)							
	20	29	41	53	62	71	83	95
11.7	t	t	t	t	t	t	t	t
15	70.7							
18	63.5	53.8						
22	49.8	46.1	33.2					
24	37.1	36.3	29.0	22.8				
28	32.1	32.5	27.1	21.8	16.1			
32		26.2	23.3	20.4	15.4	11.9		
36		22.1	20.4	19.0	14.6	11.4	7.9	
44			17.8	17.0	13.9	10.9	7.6	4.9
48			13.8	13.5	11.8	9.7	6.9	4.5
55				11.9	10.7	9.1	6.6	4.2
60				9.7	9.0	8.0	6.1	3.8
65					7.9	7.3	5.6	3.4
70					6.6	6.5	5.0	3.2
75						5.5	4.5	2.7
85							4.0	2.3

Main boom 35 m

Radius (m)	Jib length in (m)							
	20	29	41	53	62	71	83	95
13.1	t	t	t	t	t	t	t	t
16	64.5							
20	54.5	47.5						
24	44.0	41.8	30.1					
26	34.0	33.9	26.8	20.3				
28	30.1	30.7	25.5	19.8	14.6			
32		27.8	24.2	19.4	14.4	10.9		
34		23.5	22.0	18.6	13.9	10.8	7.2	
36		21.7	20.8	18.1	13.6	10.7	7.2	
46			19.4	17.6	13.4	10.5	7.1	4.3
50			14.1	13.9	12.2	9.5	6.6	4.1
55				12.3	11.0	9.2	6.3	4.0
65				10.8	9.8	8.5	6.0	3.7
75					7.5	7.2	5.4	3.1
80						5.3	4.8	2.5
85							4.1	2.2

Main boom 44 m

Radius (m)	Jib length in (m)							
	20	29	41	53	62	71	83	95
14.2	t	t	t	t	t	t	t	t
17	51.6							
22	47.4	39.6						
24	36.9	34.6	26.3					
26	32.2	31.1	25.1	18.3				
28	29.2	28.4	23.8	18.1				
30		26.0	22.8	18.0	13.3			
34		23.8	21.4	17.7	13.3	9.8		
36		20.6	19.4	17.0	12.9	9.8	6.5	
38		12.1	18.1	16.3	12.7	9.7	6.5	
46			16.9	15.6	12.6	9.6	6.5	3.9
55			13.3	12.9	11.6	9.0	6.2	3.8
65				10.1	9.2	8.0	5.7	3.6
75					7.1	6.5	5.0	3.0
80						4.9	4.3	2.4
85							3.7	2.2

Main boom 53 m

Radius (m)	Jib length in (m)							
	20	29	41	53	62	71	83	95
15.3	t	t	t	t	t	t	t	t
18	40.3							
22	37.6	31.5						
26	33.3	28.8	22.5					
28	27.0	25.4	21.1	15.6				
32	24.7	23.8	20.4	15.5	11.7			
34		20.4	18.4	15.1	11.6	8.8		
36		19.2	17.5	14.9	11.6	8.8	5.8	
38		18.0	16.6	14.3	11.5	8.7	5.8	
44			15.6	13.6	11.4	8.7	5.8	3.3
48			13.1	11.9	10.5	8.6	5.7	3.3
55			11.8	10.6	9.9	8.2	5.7	3.3
60				9.0	8.2	7.6	5.3	3.3
65				7.5	7.2	6.6	5.1	3.0
75					6.4	5.8	4.6	2.8
85						4.4	3.6	2.2

Main boom 56 m

Radius (m)	Jib length in (m)							
	20	29	35	41	53	62	71	74
15.7	t	t	t	t	t	t	t	t
19	37.4							
22	34.6	29.0						
26	31.7	27.0	23.9	20.8				
28	26.4	24.2	22.1	19.8	14.6			
32	24.3	23.0	21.0	19.3	14.6	11.2		
36		19.7	18.9	17.7	14.2	11.2	8.3	7.6
40		17.4	16.5	16.1	13.6	11.1	8.3	7.6
42			14.7	14.2	12.5	10.9	8.3	7.6
44			13.9	13.4	12.0	10.5	8.3	7.6
48				12.7	11.5	10.1	8.2	7.6
50				11.4	10.2	9.6	7.9	7.4
60					9.7	9.1	7.7	7.2
65					7.6	7.0	6.3	6.2
75						6.3	5.5	5.4
80							4.2	4.1

Main boom 59 m

Radius (m)	Jib length in (m)					
	20	29	35	41	50	
16	t	t	t	t	t	
19	34.4					
22	32.1	26.9				
24	29.6	25.1	22.2			
26	27.5	24.2	21.3	18.8		
28	25.4	23.0	20.7	18.4	14.6	
30	23.5	22.0	19.8	18.0	14.5	
34		20.5	18.9	17.6	14.4	
38		17.9	16.9	16.0	14.0	
40		12.1	15.0	14.4	12.8	
42			14.2	13.6	12.3	
44			13.4	12.8	11.8	
46				12.2	11.2	
48				11.6	10.6	
50				11.0	10.0	
55					9.6	

Capacities in metric tons with luffing jib (No. 1916.xx), 81 t counterweight + 36 t carbody counterweight. Above lift chart is for reference only. For actual lift duty and complete chart with all available configurations please refer to lift chart in operator's cab or manual.

Lift chart - luffing jib (No. 1916.xx)

Main boom angle 75°

Main boom 23 m

Radius (m)	Jib length in (m)							
	20	29	41	53	62	71	83	95
18	50.4	t	t	t	t	t	t	t
22	39.7	39.2						
28	12.1	29.2	26.7					
32		24.8	23.8	20.3				
36		21.4	21.0	19.5	14.5			
40			18.3	17.7	13.9	10.8		
44			16.3	15.8	13.2	10.4	7.0	
46			15.3	14.9	12.9	10.2	7.0	
48			14.3	14.1	12.6	10.0	6.8	
50				13.3	12.1	9.8	6.7	4.3
55				11.7	10.7	9.3	6.4	4.0
60				9.6	9.6	8.3	6.1	3.7
65					8.3	7.5	5.7	3.4
70						6.7	5.1	3.1
75						5.9	4.7	2.8
85							3.8	2.2

Main boom 35 m

Radius (m)	Jib length in (m)								
	20	29	41	53	62	71	83	95	
22	36.9	t	t	t	t	t	t	t	
26	30.8	29.7							
30	25.8	25.5	24.1						
36		20.4	19.8	18.6					
40			12.1	17.4	16.6	13.4			
44				15.4	14.8	13.0	10.1		
48				13.7	13.2	12.6	9.8	6.6	
50				12.9	12.4	12.0	9.6	6.5	
55					10.9	10.5	9.3	6.2	3.9
60					9.6	9.3	8.8	6.0	3.6
65						8.2	7.7	5.8	3.4
70						7.2	6.8	5.6	3.1
75							6.0	5.4	2.9
80							5.3	4.8	2.6
85								4.2	2.4
90								3.6	2.2

Main boom 44 m

Radius (m)	Jib length in (m)								
	20	29	41	53	62	71	83	95	
24	30.9	t	t	t	t	t	t	t	
28	26.5	25.2							
32	22.8	22.0	20.6						
38		18.1	17.1	15.9					
42			15.9	15.4	14.2	12.7			
46				13.7	12.8	12.0	9.4		
48				13.0	12.1	11.4	9.3		
50				12.3	11.6	10.9	9.2	6.2	
55					10.2	9.6	8.8	6.0	3.7
60					9.0	8.5	7.8	5.8	3.5
65					8.0	7.6	6.9	5.6	3.3
70						6.7	6.1	5.2	3.1
75							5.5	4.6	2.9
80							4.8	4.0	2.6
85								3.5	2.4
90								3.1	2.2

Main boom 53 m

Radius (m)	Jib length in (m)									
	20	29	41	53	62	71	83	95		
25.2	26.7	t	t	t	t	t	t	t		
30	22.4	21.3								
34	19.8	18.7	17.3							
36	12.1	17.6	16.3							
40			15.7	14.5	13.3					
44			14.1	13.1	12.0	11.2				
48				11.8	10.8	10.1	8.7			
50				11.3	10.3	9.5	8.6			
55				10.0	9.1	8.4	7.6	5.6		
60					8.1	7.4	6.7	5.5	3.1	
65						7.3	6.6	5.9	4.9	3.1
70							5.9	5.2	4.3	2.9
75							5.3	4.6	3.7	2.7
80								4.0	3.2	2.3
85								3.5	2.7	
90									2.3	

Main boom 56 m

Radius (m)	Jib length in (m)							
	20	29	35	41	53	62	71	74
26	25.0	t	t	t	t	t	t	t
30	21.6	20.5						
34	19.1	18.0	17.3					
36	18.0	17.0	16.3	15.7				
40		15.2	14.5	14.0	12.8			
42		14.4	13.8	13.2	12.1			
44		13.7	13.1	12.5	11.4	10.7		
48			11.9	11.4	10.3	9.6	8.3	
50			11.3	10.8	9.8	9.1	8.2	7.5
55				9.7	8.7	8.0	7.2	7.0
60					7.7	7.0	6.3	6.1
65					6.9	6.3	5.5	5.3
70						5.6	4.8	4.7
75						5.0	4.2	4.1
80							3.7	3.6
85							3.3	3.1

Main boom 59 m

Radius (m)	Jib length in (m)				
	20	29	35	41	50
26.7	23.4	t	t	t	t
28	22.4				
30	20.9				
32	19.5	18.4			
34	18.4	17.3	16.6		
36	17.3	16.3	15.6	15.0	
38		15.4	14.7	14.2	
40		14.6	13.9	13.4	12.6
42		13.8	13.2	12.7	11.9
44		13.1	12.5	12.0	11.3
46		12.1	11.9	11.4	10.7
48			11.4	10.9	10.1
50			10.8	10.4	9.6
55				9.2	8.5
60					7.6
65					6.8

Capacities in metric tons with luffing jib (No. 1916.xx), 81 t counterweight + 36 t carbody counterweight. Above lift chart is for reference only. For actual lift duty and complete chart with all available configurations please refer to lift chart in operator's cab or manual.

Lift chart – luffing jib (No. 1916.xx)

Main boom angle 65°

Main boom 23 m

Radius (m)	Jib length in (m)							
	20	29	41	53	62	71	83	95
26	t	t	t	t	t	t	t	t
30	30.6							
32	25.7	25.3						
38	12.1	23.4						
40		18.9	18.4					
44		17.6	17.2	14.6				
50			15.2	12.3	11.9			
55			12.8	10.8	10.4	9.6		
60				9.5	9.1	8.6		
65					8.1	7.6	6.0	
70					7.1	6.7	5.7	3.2
80						5.2	4.7	2.7
90							3.6	2.2

Main boom 35 m

Radius (m)	Jib length in (m)							
	20	29	41	53	62	71	83	95
29.2	t	t	t	t	t	t	t	t
36	24.0							
36	18.7	18.3						
42		15.0	14.5					
44		14.1	13.6					
50			11.5	10.9				
55			10.0	9.5	9.0			
60				8.3	7.9	7.3		
65				7.3	6.9	6.4		
70					6.1	5.6	4.8	
75					5.4	4.9	4.2	3.0
80						4.3	3.6	2.7
85						3.7	3.1	2.3
95							2.3	

Main boom 44 m

Radius (m)	Jib length in (m)						
	20	29	41	53	62	71	83
33	t	t	t	t	t	t	t
33	19.1						
36	17.2						
40	15.0	14.5					
46		12.1	11.5				
48		11.4	10.8				
55			8.9	8.2			
60			7.8	7.3	6.6		
65				6.4	5.8	5.0	
70				5.6	5.1	4.4	3.5
75					4.5	3.8	2.9
80					4.0	3.3	2.5
85						2.9	2.0
90						2.5	

Main boom 53 m

Radius (m)	Jib length in (m)					
	20	29	41	53	62	71
36.8	t	t	t	t	t	t
40	14.7					
40	13.4					
42	12.6	11.8				
44	11.8	11.2				
48		10.1				
50		9.5	8.5			
55			7.5			
60			6.7	5.7		
65			5.9	5.0	4.4	
70				4.4	3.8	3.0
75				3.9	3.3	2.5
80					2.8	2.1
85					2.4	

Main boom 56 m

Radius (m)	Jib length in (m)							
	20	29	35	41	53	62	71	74
38.1	t	t	t	t	t	t	t	t
38.1	13.3							
44	11.3	10.4						
46	10.6	9.9						
48		9.4	8.8					
50		8.9	8.4					
55			7.4	6.9				
60			6.5	6.1	5.1			
65				5.4	4.5	3.8		
70					3.9	3.3	2.5	2.4
75					3.4	2.8	2.1	
85						2.0		

Main boom 59 m

Radius (m)	Jib length in (m)				
	20	29	35	41	50
39.4	t	t	t	t	t
39.4	12.0				
42	11.2				
44	10.6				
46	10.0	9.2			
48		8.7	8.1		
50		8.3	7.7		
55		7.3	6.8	6.3	
60			6.0	5.6	4.9
65				4.9	4.3
70					3.7
75					3.3

Capacities in metric tons with luffing jib (No. 1916.xx), 81 t counterweight + 36 t carbody counterweight. Above lift chart is for reference only. For actual lift duty and complete chart with all available configurations please refer to lift chart in operator's cab or manual.

Lift chart - luffing jib (No. 1916.xx)

Main boom angle 45°

Main boom 23 m

Radius (m)	Jib length in (m)						
	20	29	41	53	62	71	83
35.4	t	t	t	t	t	t	t
38	18.8						
44		13.9					
46		13.1					
55			9.8				
65				7.1			
70				6.3	5.9		
75					5.2		
80						4.1	
85						3.6	
90							2.5
95							2.1

Main boom 35 m

Radius (m)	Jib length in (m)					
	20	29	41	53	62	
43.8	t	t	t	t	t	
46	11.9					
55		8.3				
65			5.8			
75				3.9		
80					3.0	
85					2.6	

Main boom 44 m

Radius (m)	Jib length in (m)			
	20	29	41	53
50.2	t	t	t	t
60	8.0			
70		5.6		
80			3.7	
				2.1

Main boom 53 m

Radius (m)	Jib length in (m)		
	20	29	
56.6	t	t	
65	4.8		
		3.3	

Main boom 56 m

Radius (m)	Jib length in (m)		
	20	29	
58.7	t	t	
60	3.9		
70	3.8		
		2.1	

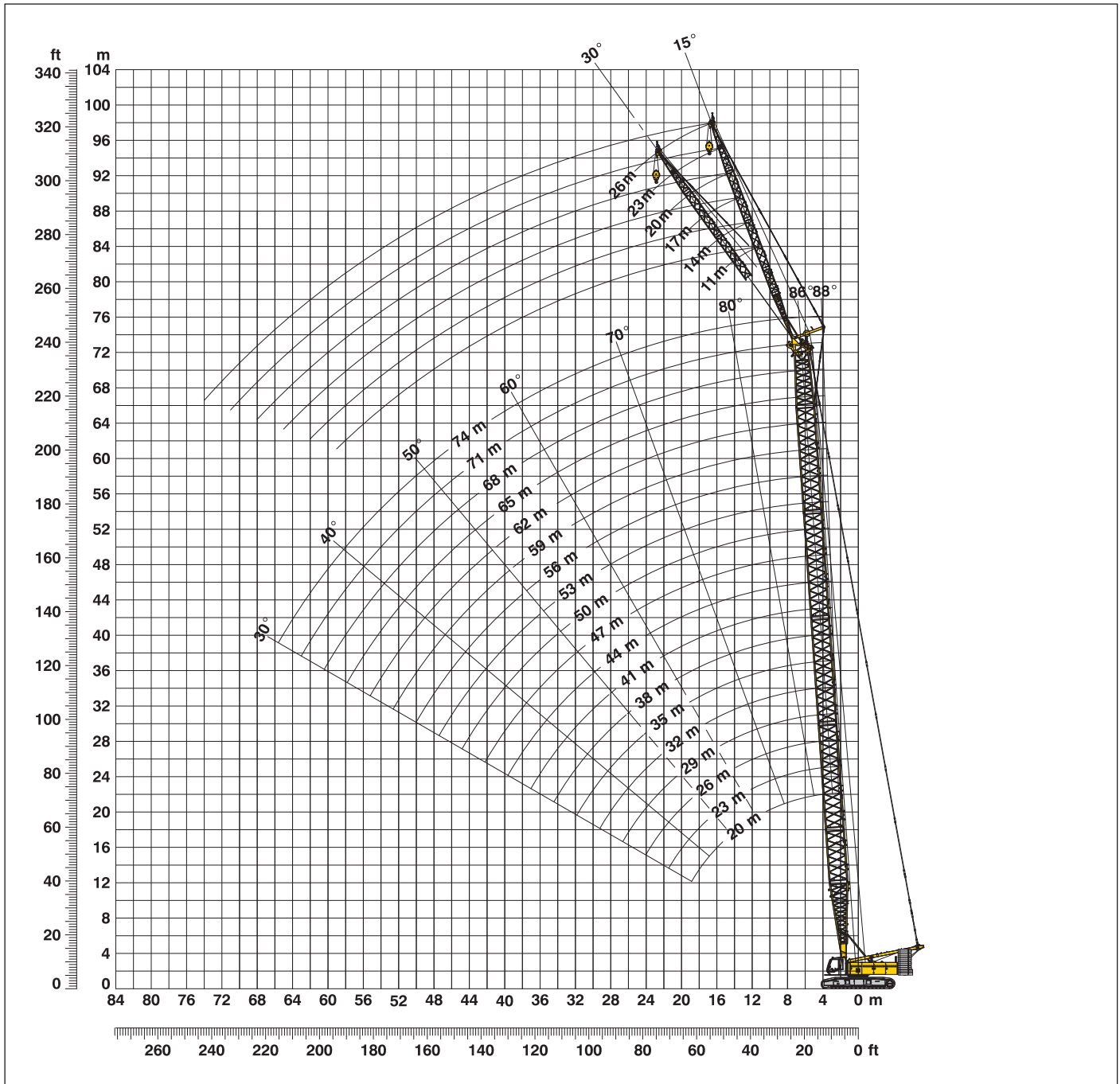
Main boom 59 m

Radius (m)	Jib length in (m)	
	20	
60.8	t	
	2.9	

Capacities in metric tons with luffing jib (No. 1916.xx), 81 t counterweight + 36 t carbody counterweight. Above lift chart is for reference only. For actual lift duty and complete chart with all available configurations please refer to lift chart in operator's cab or manual.

Working range - fixed jib (No. 1008.xx) 15° and 30°

Main boom 88° - 30°



Boom configuration for boom lengths (20 m - 74 m) – see table 1 on page 10

Fixed jib configuration for fixed jib lengths (11 m - 26 m)

	Length	Amount of fixed jib extensions					
Fixed jib foot	5.5 m	1	1	1	1	1	1
Fixed jib section	3.0 m		1		1		1
Fixed jib section	6.0 m			1	1	2	2
Fixed jib head	5.5 m	1	1	1	1	1	1
Fixed jib length (m)		11	14	17	20	23	26

Lift chart - fixed jib (No. 1008.xx)

Offset 15°

Main boom 20 m

Radius	Fixed jib length in (m)			
	11	14	20	26
(m)	t	t	t	t
9	35.9			
10	35.9	35.0		
12	35.9	33.2	27.7	
13	35.9	32.5	26.7	19.1
16	35.1	29.9	23.8	17.1
20	32.8	26.5	20.0	15.1
24	27.5	23.2	17.0	13.4
28	24.0	20.7	14.7	11.7
30	23.0	19.5	13.8	11.1
32		18.3	13.0	10.5
38			11.3	9.0
44				7.9

Main boom 29 m

Radius	Fixed jib length in (m)			
	11	14	20	26
(m)	t	t	t	t
8	35.9			
9	35.9	35.6		
10	35.9	35.2	30.2	
12	35.9	34.2	28.4	19.7
16	35.9	32.0	25.0	17.3
20	34.7	29.8	21.9	15.4
28	27.5	24.5	17.1	13.0
36	19.3	19.6	13.7	10.6
38	17.8	18.1	13.1	10.1
40		16.7	12.7	9.7
46			11.4	8.7
50				8.1

Main boom 38 m

Radius	Fixed jib length in (m)			
	11	14	20	26
(m)	t	t	t	t
7	35.9			
8	35.9	35.8		
10	35.9	35.1	29.4	
13	35.9	33.6	26.8	18.8
16	35.9	32.3	24.7	17.3
20	35.9	30.3	22.6	15.6
28	26.9	26.2	18.6	13.5
36	18.6	18.9	15.1	11.5
46	12.5	12.8	12.5	9.5
48		11.9	12.1	9.2
55			9.7	8.4
60				7.9

Main boom 47 m

Radius	Fixed jib length in (m)			
	11	14	20	26
(m)	t	t	t	t
6.6	35.9			
8	35.9	35.8		
11	35.9	34.5	28.3	
13	35.9	33.7	26.9	18.5
14	35.9	33.4	26.2	18.0
18	35.5	32.0	23.9	16.3
24	32.6	29.1	21.1	14.5
40	15.2	15.5	15.5	11.4
50	10.2	10.4	11.0	9.7
55		8.6	9.1	9.0
60			7.6	8.0
65				6.6

Main boom 56 m

Radius	Fixed jib length in (m)			
	11	14	20	26
(m)	t	t	t	t
6.9	35.9			
9	35.9	34.5		
11	35.9	33.7	26.6	
13	35.9	32.8	25.5	17.8
18	35.0	30.6	23.0	16.1
24	30.8	28.0	20.6	14.4
32	21.0	21.4	18.6	13.1
40	14.5	14.8	15.4	12.0
48	10.3	10.6	11.2	10.6
60	6.2	6.5	6.9	7.3
70			4.5	4.9
75				3.9

Main boom 62 m

Radius	Fixed jib length in (m)			
	11	14	20	26
(m)	t	t	t	t
7.1	35.9			
9	35.9	33.9		
11	35.9	33.2	25.5	
13	35.9	32.4	24.7	17.3
18	33.5	30.0	22.4	15.8
24	29.6	27.2	20.2	14.3
32	20.3	20.5	18.6	13.1
40	14.1	14.4	15.0	12.2
48	9.9	10.2	10.7	10.9
65	4.5	4.7	5.2	5.6
75			3.1	3.4
80				2.6

Main boom 68 m

Radius	Fixed jib length in (m)			
	11	14	20	26
(m)	t	t	t	t
7.3	35.9			
9	35.9	32.8		
11	35.8	32.3	24.3	
14	34.9	30.9	23.2	16.7
24	28.4	26.1	19.7	14.1
32	19.4	19.7	18.0	13.0
40	13.6	14.0	14.4	12.2
48	9.4	9.7	10.3	10.8
65	4.1	4.3	4.7	5.2
70	3.0	3.2	3.6	4.0
75		2.2	2.7	3.0
80				2.2

Main boom 71 m

Radius	Fixed jib length in (m)			
	11	14	20	26
(m)	t	t	t	t
7.4	35.8			
9	35.2	32.2		
11	33.8	30.9	24.0	
14	32.6	29.4	22.7	16.3
18	30.4	27.9	21.2	15.2
24	27.2	25.3	19.5	13.8
32	19.0	19.2	17.8	12.8
40	13.3	13.6	14.0	12.1
48	9.2	9.5	10.1	10.4
65	3.8	4.1	4.5	4.9
70	2.8	3.0	3.4	3.8
75		2.0	2.4	2.8

Main boom 74 m

Radius	Fixed jib length in (m)			
	11	14	17	
(m)	t	t	t	
7.5	35.1			
9	34.3	31.1		
10	32.8	30.8	27.8	
14	30.6	27.4	24.9	
18	28.9	26.4	24.0	
24	26.1	24.1	22.2	
32	18.5	18.7	19.0	
40	12.9	13.1	13.4	
48	9.0	9.3	9.5	
65	3.6	3.8	4.1	
70	2.5	2.7	3.0	
75			2.0	

Capacities in metric tons with fixed jib (No. 1008.xx), 81 t counterweight + 36 t carbody counterweight. Above lift chart is for reference only. For actual lift duty and complete chart with all available configurations please refer to lift chart in operator's cab or manual.

Lift chart - fixed jib (No. 1008.xx)

Offset 30°

Main boom 20 m

Radius	Fixed jib length in (m)			
	11	14	20	26
(m)	t	t	t	t
11	34.7			
13	31.1	26.1		
15	28.3	23.8	17.1	
18	25.1	21.6	15.1	12.1
20	23.4	20.1	14.0	11.3
24	21.5	17.6	12.3	9.8
28	19.6	15.9	11.1	8.7
30	19.0	15.2	10.7	8.3
34		14.5	9.8	7.6
38			9.4	7.1
40			9.1	6.8
46				6.4

Main boom 29 m

Radius	Fixed jib length in (m)			
	11	14	20	26
(m)	t	t	t	t
10	35.8			
12	34.7	28.4		
15	30.7	25.7	17.7	
18	27.5	24.0	16.0	12.0
20	26.0	22.4	15.0	11.6
24	23.3	20.1	13.4	10.2
28	22.0	18.2	12.2	9.2
32	20.2	16.7	11.2	8.5
38	17.9	15.3	10.2	7.6
40		15.0	9.9	7.4
46			9.5	6.8
50				6.6

Main boom 38 m

Radius	Fixed jib length in (m)			
	11	14	20	26
(m)	t	t	t	t
8.9	35.9			
11	35.6	28.3		
15	32.2	25.9	17.5	
19	28.6	23.5	15.6	12.0
24	25.3	20.9	13.8	10.5
32	22.3	17.7	11.8	8.9
40	16.0	15.6	10.5	7.8
44	13.6	14.0	9.9	7.4
46	12.6	12.9	9.7	7.2
48		12.0	9.5	7.1
55			9.2	6.7
60				6.5

Main boom 47 m

Radius	Fixed jib length in (m)			
	11	14	20	26
(m)	t	t	t	t
9.2	35.9			
12	35.4	28.8		
15	33.5	27.1	17.5	
19	30.1	24.6	16.1	12.0
20	29.5	24.0	15.8	11.7
28	24.8	21.0	13.4	9.9
36	18.4	18.2	11.8	8.7
44	13.1	13.5	10.8	7.8
50	10.3	10.7	10.0	7.3
55		8.7	9.4	6.9
60			7.7	6.7
65				6.6

Main boom 56 m

Radius	Fixed jib length in (m)			
	11	14	20	26
(m)	t	t	t	t
9.5	35.9			
12	35.3	28.0		
16	32.6	25.6	17.2	
19	30.4	24.2	16.1	11.8
24	27.7	22.2	14.5	10.8
32	21.5	19.8	12.7	9.5
40	14.9	15.3	11.6	8.5
48	10.6	11.0	10.6	7.7
60	6.3	6.6	7.2	6.9
65		5.2	5.8	6.3
70			4.6	5.1
75				4.0

Main boom 62 m

Radius	Fixed jib length in (m)			
	11	14	20	26
(m)	t	t	t	t
9.8	34.1			
12	33.0	26.7		
16	30.6	24.8	17.0	
19	28.9	23.8	16.2	11.7
24	26.8	21.7	14.8	10.8
32	21.0	19.7	13.0	9.6
40	14.5	14.9	12.0	8.6
48	10.2	10.6	10.8	7.9
65	4.6	4.9	5.4	6.0
70		3.7	4.2	4.7
75			3.2	3.7
80				2.7

Main boom 68 m

Radius	Fixed jib length in (m)			
	11	14	20	26
(m)	t	t	t	t
10	31.8			
12	31.0	25.6		
16	28.8	24.1	17.0	
20	26.9	22.9	16.0	11.7
24	25.2	21.2	15.0	10.9
32	20.1	18.9	13.3	9.7
40	14.1	14.6	12.1	8.8
48	9.8	10.2	10.9	8.1
65	4.2	4.5	5.1	5.6
70	3.1	3.3	3.9	4.4
75		2.3	2.8	3.3
80				2.4

Main boom 71 m

Radius	Fixed jib length in (m)			
	11	14	20	26
(m)	t	t	t	t
10.1	30.1			
12	28.9	25.3		
16	26.7	24.0	17.3	
20	25.4	22.5	16.4	11.6
24	23.9	21.0	15.3	10.9
28	22.6	19.9	14.3	10.4
36	16.5	16.8	12.9	9.3
44	11.6	12.0	11.7	8.5
55	6.9	7.2	7.9	7.6
70	2.9	3.1	3.7	4.2
75		2.1	2.7	3.2
80				2.2

Main boom 74 m

Radius	Fixed jib length in (m)			
	11	14	17	
(m)	t	t	t	
10.2	28.8			
12	27.4	24.1		
14	25.1	23.7	20.4	
16	24.9	22.7	20.6	
18	24.8	22.0	19.9	
20	24.2	21.4	19.1	
28	21.7	19.1	16.8	
36	16.0	16.4	15.1	
44	11.3	11.6	12.0	
55	6.6	7.0	7.4	
70	2.6	2.9	3.2	
75			2.2	

Capacities in metric tons with fixed jib (No. 1008.xx), 81 t counterweight + 36 t carbody counterweight. Above lift chart is for reference only. For actual lift duty and complete chart with all available configurations please refer to lift chart in operator's cab or manual.

Notice

